

AR-10S Active GPS Antenna



The AR-10S GPS antenna replaces the popular Synergy Systems SMA-35 antenna. Like the SMA-35, the AR-10S is solidly built and features both a high gain LNA and ceramic filter for exceptional performance in rugged electrical and environmental conditions.

Antenna Patch Element Characteristics:

Parameter	Value
Center Frequency:	1575.42 MHz
Bandwidth:	2 MHz
Polarization:	Right Hand Circular
Axial Ratio:	+3dB max
Typical Gain:	+5dBi at zenith -1dBi at +10° elev
Output VSWR:	1.5 dB maximum
Output Impedance:	50 Ω

LNA Characteristics:

Parameter	Value
Gain	+28dB typical
Noise Figure	1.5 dB typical
Filtering	-30 dB @ fo +/- 50MHz
Input Voltage	+2.5 to 5.5Vdc
Input Current	12 mA typical
RF input w/o damage	1W maximum

Physical Specifications:

Parameter	Value
Dimensions:	58 x 48 x 13mm
Weight:	63 grams (less cable & connector)
Mounting:	Magnetic or Direct
Coaxial Cable:	5m RG-174

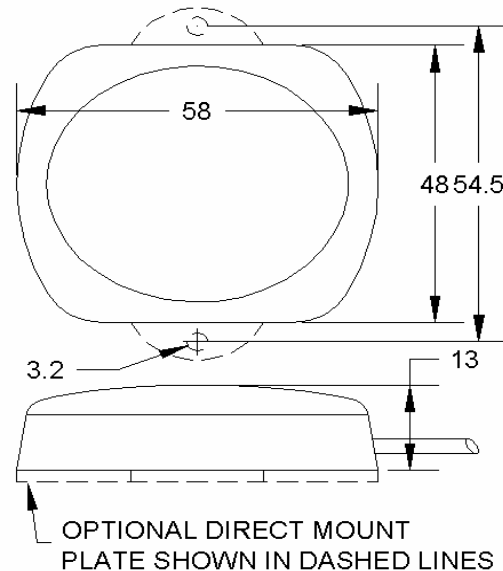
Environmental Specifications:

Parameter	Value
Operating Temp:	-40°C to +85°C
Storage Temp:	-50°C to +95°C
Humidity:	95%, non-condensing

Ordering Information:

P/N	Configuration
10001268	r/a MMCX, 5m cable, mag mnt
10001273	str BNC, 5m cable, mag mnt
10001334	str MCX, 5m cable, mag mnt
10001411	str SMA, 6m cable, direct mnt
10001414	str SMA, 5m cable, mag mnt
10001319	optional direct mount

Other configurations quoted on request.



For configuration assistance, order placement and technical support call:



CNS Systems, Inc.
Communication, Navigation and Surveillance

Phone: (410) 987-7835 • Fax (410) 987-7836
Email: info@cnsys.com • www.cnssys.com

|